

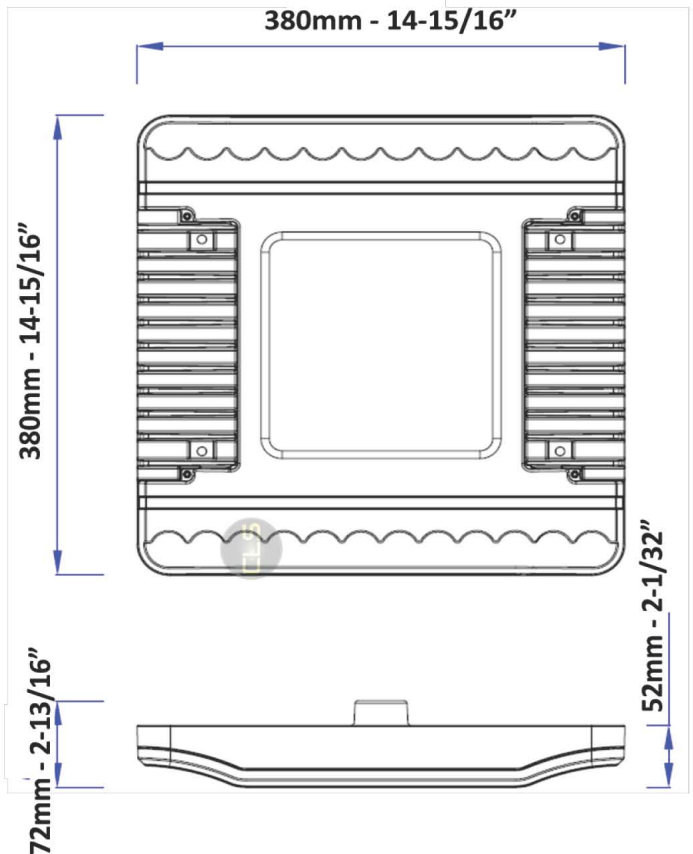


NAME: LED Canopy Light

P/N: SNC-CP-130WF02-KRUT

Advantage:

- UL cUL DLC certificate
- PHILIPS Chip, high CRI
- Mean Well IP65 driver, input voltage 100-277VAC
- No UV or IR in the beam
- Easy to install and operate
- Energy saving, long lifespan
- Light is soft and uniform, safe to eyes
- Instant start, NO flickering, NO humming
- Green and eco-friendly without mercury.



Application:

- ◆ Widely used in gas station, service station, underground parking lot, warehouse, garage, work floor, factory and so on.

Product Specifications

Product name	LED Canopy Light
Part No	SNC-CP-130WF02
Light Type	Canopy Light
Dimension	380*380*72mm - 14-15/16" X 14-15/16" X 2-13/16"

Technical Characteristic

Color temperature	4000K	4500K	5000K	5700K
CRI	>80			
Lumen	13000-14500LM			
Input Power	130W			
Viewing Angle	100 Degree			
Input Voltage	AC100-277V		50/60Hz	
Driver model	CLG-150-48A(Mean Well Driver)			
PFC	>0.9			
Waterproof Rating	IP65			

Materials

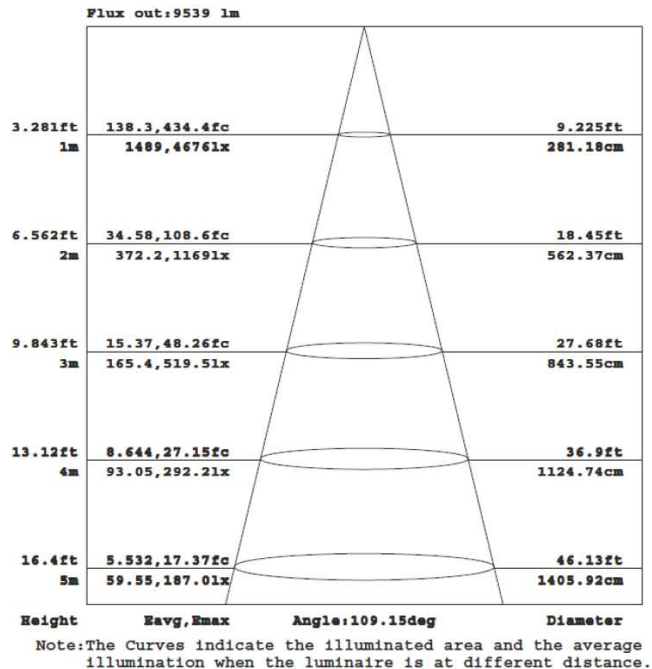
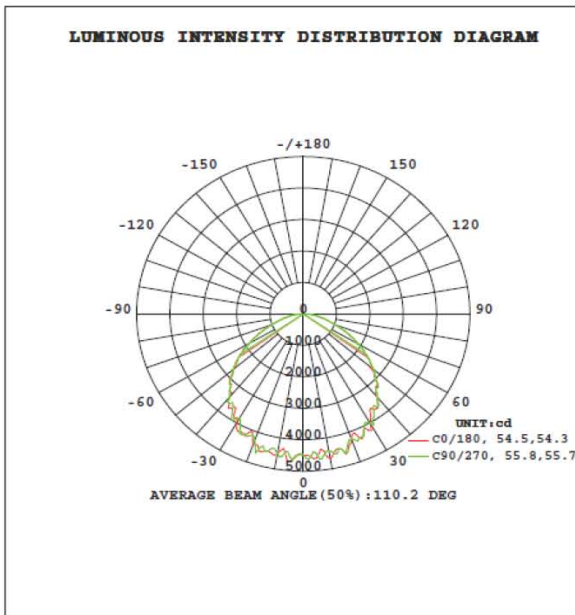
LED Brand	PHILIPS
LED Type	3030, 1.5W
LED QTY	140 PCS
Housing	Aluminum
Housing color	White

Others

Operating Temperature	-20°C TO 45°C
Operating Humidity	20%-90% RH
Storage Temperature	-30°C TO 80°C
Storage Humidity	10%-95%
Application	Outdoor
Safety Certification	UL、cUL、DLC
Warranty Time	5 Years

Light Distribution Testing Parameters

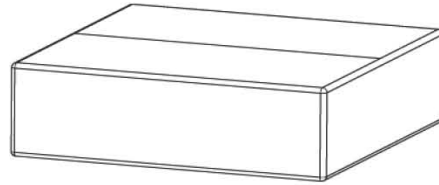
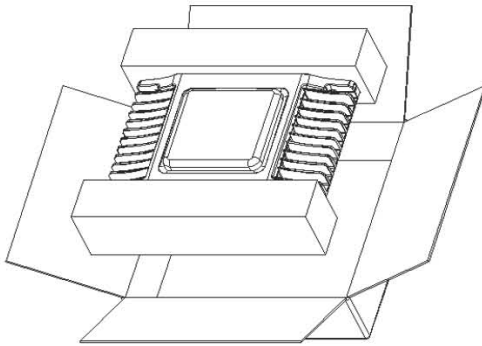
DATA OF LAMP		PHOTOMETRIC DATA Eff: 98.68 lm/W			
MODEL	SNC-CP-130WF02-4000K	I _{max} (cd)	4748	S/MH (C0/180)	1.30
NOMINAL POWER (W)	130	LOR (%)	100.0	S/MH (C90/270)	1.33
RATED VOLTAGE (V)	120	TOTAL FLUX (lm)	12947	η UP, DN (C0-180)	0.1, 50.0
NOMINAL FLUX (lm)	12946.9	CIE CLASS	DIRECT	η UP, DN (C180-360)	0.1, 49.8
LAMPS INSIDE	1	η up (%)	0.1	CIBSE SHR NOM	1.25
TEST VOLTAGE (V)	120.0	η down (%)	99.9	CIBSE SHR MAX	1.35



Package

Lamps Net Weight: 6.3 Kg / 13LBS-15OZ / pcs

	Size	Qty/Carton	Weight/Carton
Outer box	400*400*120mm 15-3/4" X 15-3/4" X 4-3/4"	1	7.3 kg - 16LBS-2OZ



IMPORTANT

- ◆ Please turn off power before installation or maintenance.
- ◆ The input voltage and lamps should be matched, BEFORE connecting the power line,
- ◆ Please make sure the wiring is insulated.
- ◆ DO NOT disassemble or modify the fixtures

Trouble Shooting

Troubles	Check points
Flickering of the light	Turn off the power and turn on again in 3 minutes. If same result, then replace
Not working	Please check the connection