

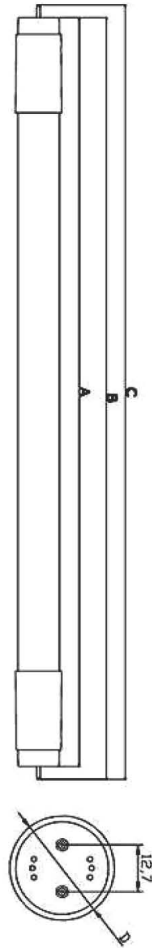
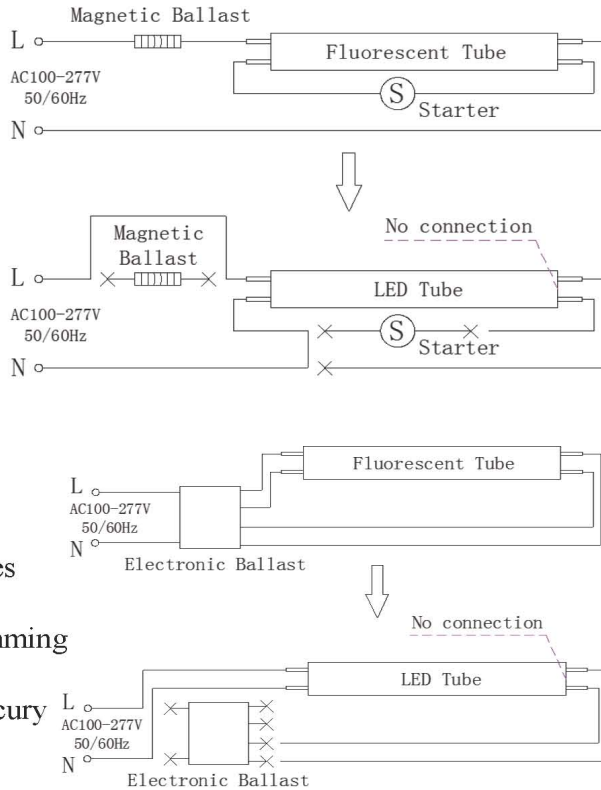


NAME: LED 18 WATT TUBE LIGHT
P/N: SNC-T812-18WA1 - FROSTED

Advantage

- DLC certificate
- G13 lamp base, high CRI
- Internal non-isolated driver,
- input voltage AC100-277V
- No UV or IR in the beam
- Easy to install and operate
- Energy saving, long service life
- Light is soft and uniform, safe to eyes
- Instant start, NO flickering, NO humming
- Green and eco-friendly without mercury

Direct Wire



Application

- Widely used in supermarket, home, office, hotel, hospital, school, meeting room, library, residential, etc.

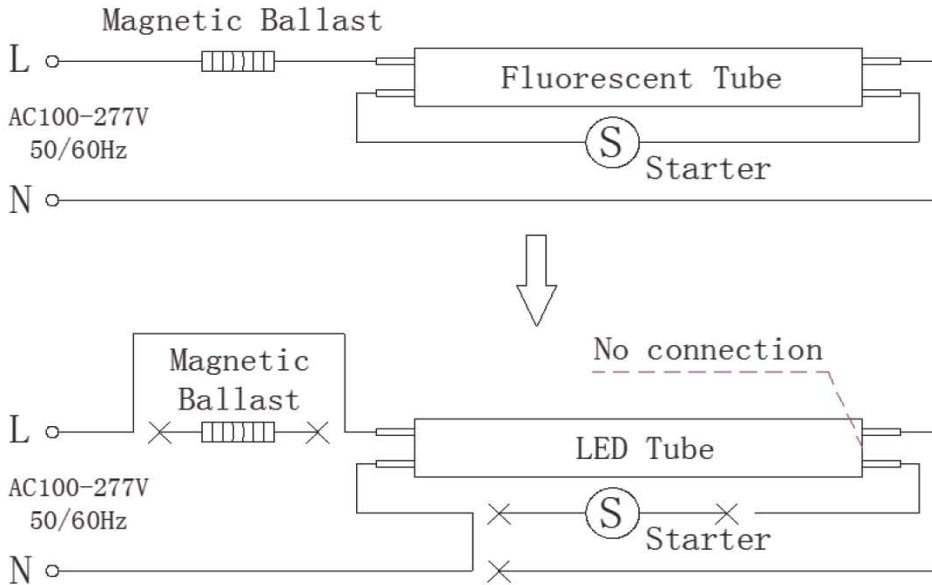


TECHNICAL DATA SHEET

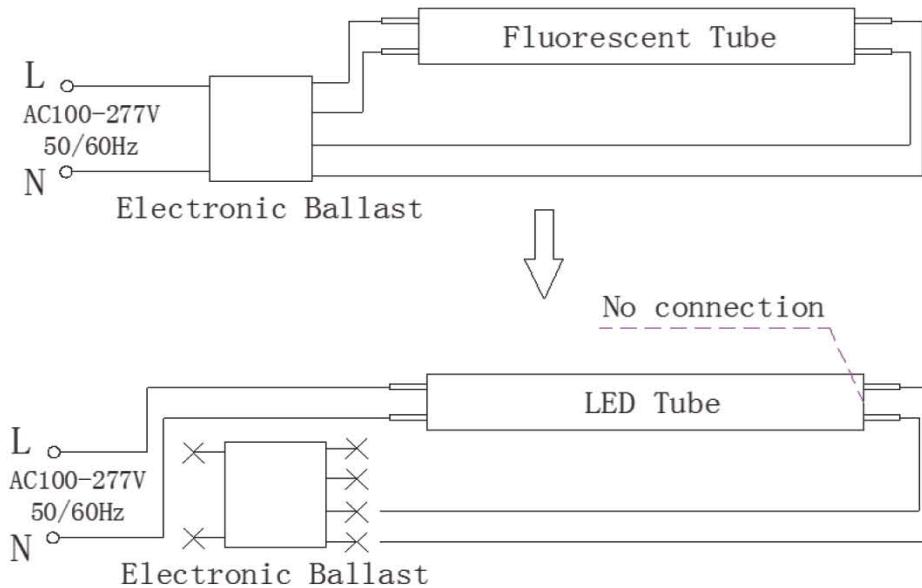
PRODUCT SPECIFICATIONS	
Product name	LED TUBE LIGHT
Light Type	TUBE LIGHT
Dimension	1214*Φ26 MM - 48" X Φ1"
Technical Characteristic	
Cover	Frosted
Part No	SNC-T812-18WA1
Color temperature	3000K、3500K、4000K、4500K、5000K
CRI	> 80
Lumen	1800-1900 LM
Lumen Efficacy	100-105 LM/W
Input Power	18W
Viewing Angle	120 Degree
Input Voltage	AC100-277V 50/60Hz
PFC	>90%
Equivalent	120W incandescent / 40W CFL
Waterproof Rating	IP41

MATERIALS	
LED Brand	EPISTAR
LED Type	SMD2835
LED QTY	96 PCS
Housing	PC
Housing color	White
OTHERS	
Operating Temperature	-20°C TO 40°C
Operating Humidity	20%-70% RH
Storage Temperature	-30°C TO 80°C
Storage Humidity	10%-75% RH
Application	Indoor
Safety Certification	DLC
Warranty Time	5 Years

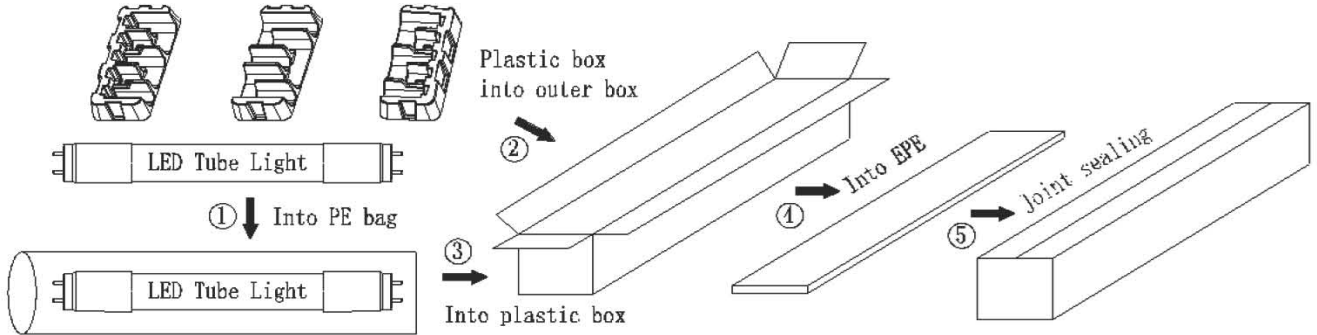
Single side (Magnetic ballast) :



Single side (Electronic ballast) :



Package



Net Weight: 0.22 KG / 48lbs-8oz / PC	
Size of Outer box	1270*240*165 MM – 50" X 9-7/16" X 6-1/2"
Qty / Carton	25 PCS
Gross Weight / Carton	7.8 KG – 17lbs-4oz

IMPORTANT

- ◆ Please turn off power before installation or maintenance.
- ◆ The input voltage and lamps should be matched, BEFORE connecting the power line,
- ◆ Please make sure to remove or bypass the ballast and starter in the fixtures before installation.
- ◆ DO NOT disassemble or modify the fixtures

Trouble Shooting

Troubles	Check points
Flickering of the light	Turn off the power and turn on again in 3 minutes. If same result, then replace
Not working	Please check the connection