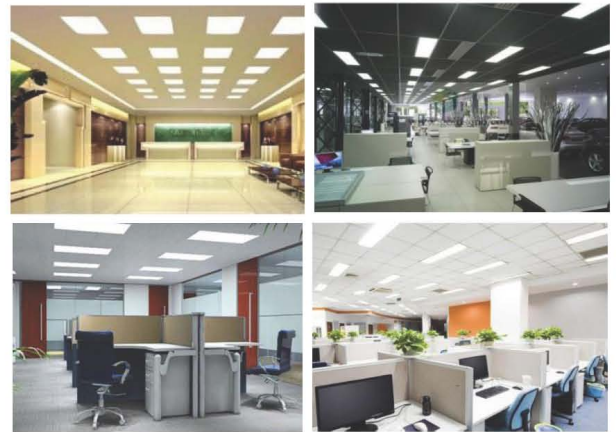


NAME: LED PANEL LIGHT

P/N: SNC-0612PL-60WA2

Advantage

- UL CUL DLC certificate
- High CRI
- External driver, input voltage AC100-277V
- Frame Color: Silver or White
- Housing Size: 8.5MM or 10MM
- Only for embedded installation
- No UV or IR in the beam
- Easy to install and operate
- Energy saving, long service life
- Light is soft and uniform, safe to eyes
- Instant start, NO flickering, NO humming
- Green and eco-friendly without mercury



Application

Ambient Lighting of Interior Commercial Spaces

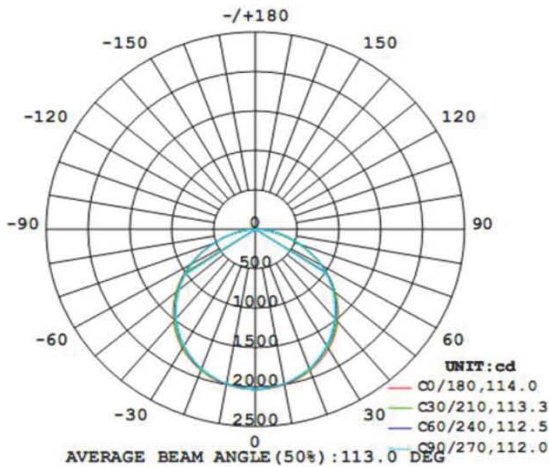
PRODUCT SPECIFICATIONS	
Product name	LED PANEL LIGHT
Part No	SNC-0612PL-60WA2
Light Type	PANEL LIGHT
Dimension	603*1213*58mm – 23-3/4" X 47-3/4" X 2-1/4"
Technical Characteristic	
Color temperature	3000K、3500K、4000K、4500K、5000K
CRI	>80
Lumen	5100-5400LM
Lumen Efficacy	85-90LM/W
Input Power	60W
Viewing Angle	120 Degree
Diffusion plate Type	Matte surface
Input Voltage	AC100-277V 50/60Hz
PFC	>90%
Waterproof Rating	IP41
MATERIALS	
LED Brand	EPISTAR
LED Type	SMD 2835
LED QTY	312 PCS
Housing	Aluminum

Housing color	Silver /White
Cover	PMMA+PS
OTHERS	
Operating Temperature	-20°C TO 45°C
Operating Humidity	20%-70% RH
Storage Temperature	-30°C TO 80°C
Storage Humidity	10%-75% RH
Application	Indoor
Safety Certification	UL CUL DLC
Warranty Time	5 Years

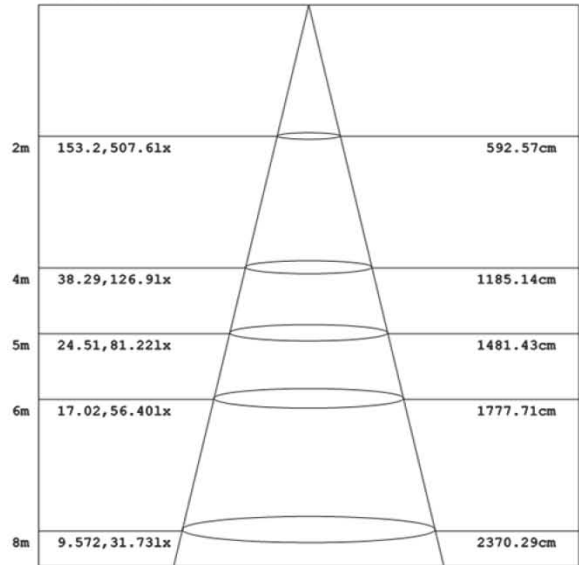
Light distribution curve :

DATA OF LAMP		PHOTOMETRIC DATA				Eff: 94.10 lm/W
MODEL		I _{max} (cd)	2031	S/MH (C0/180)		1.28
NOMINAL POWER (W)	60	LOR (%)	100.0	S/MH (C90/270)		1.25
RATED VOLTAGE (V)	220	TOTAL FLUX (lm)	5787.4	η UP, DN (C0-180)		0.0, 50.1
NOMINAL FLUX (lm)	5787.4	CIE CLASS	DIRECT	η UP, DN (C180-360)		0.0, 49.9
LAMPS INSIDE	1	η up (%)	0.0	CIBSE SHR NOM		1.25
TEST VOLTAGE (V)	220	η down (%)	100.0	CIBSE SHR MAX		1.35

LUMINOUS INTENSITY DISTRIBUTION DIAGRAM



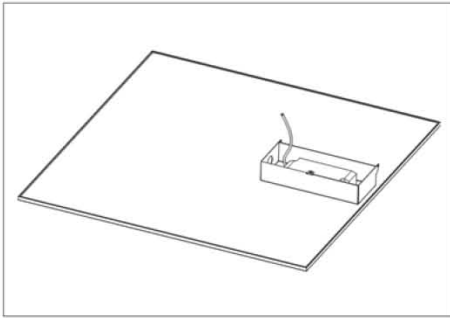
Flux out: 4230 lm



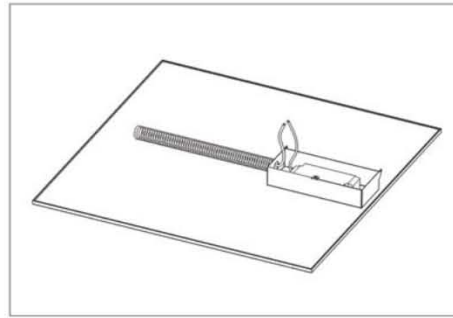
Note: The Curves indicate the illuminated area and the average illumination when the luminaire is at different distance.

Installation :

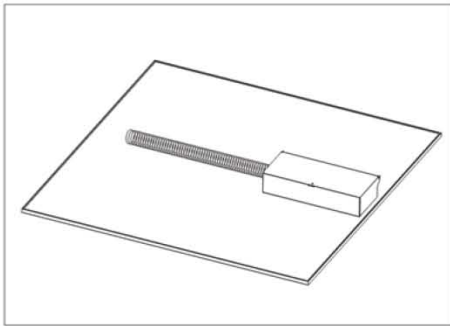
1.Open the terminal block



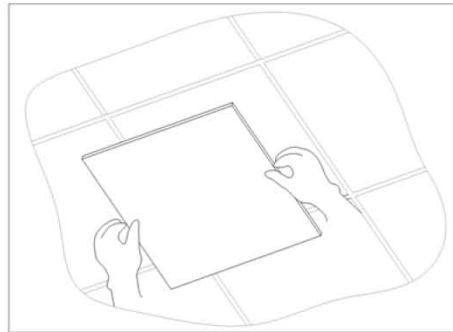
2.Connection tube inserted into the power supply box and the power input line and line pipe line through



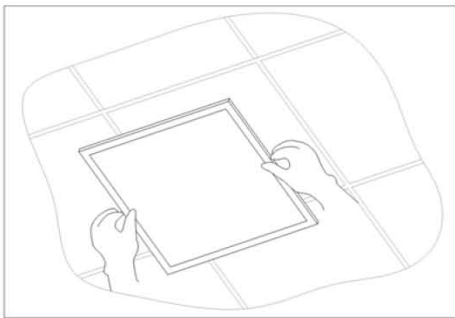
3.Power shut the lid



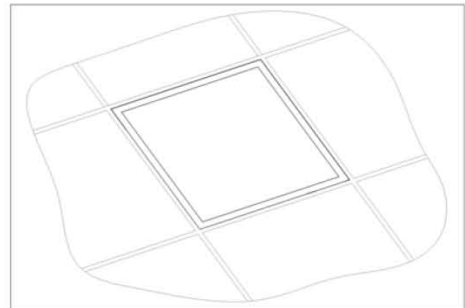
4.Remove the ceiling plater



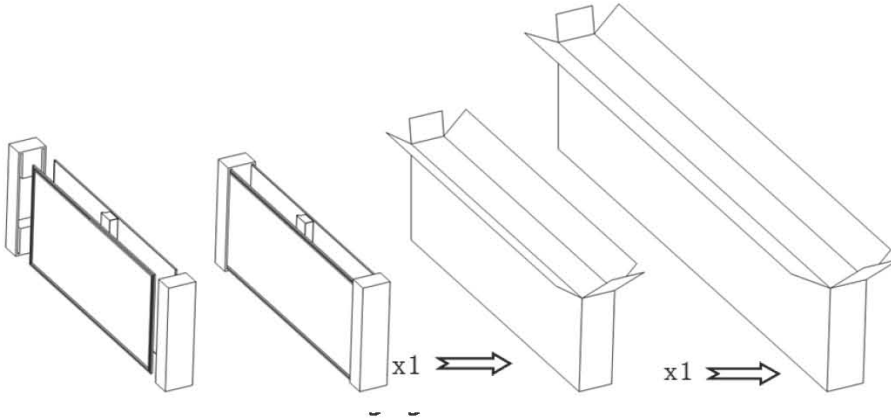
5.Put LED panel on the ceiling screens



6. Check LED panel is mounted properly and securely.



Package



Size of Carton	1280*120*655MM	50-3/8" X 4-3/4" X 25-3/4"
Qty/ Carton	2 PCS	
Weight/ Carton	16kg	35LBS - 50Z

IMPORTANT

- ◆ Please turn off power before installation or maintenance.
- ◆ The input voltage and lamps should be matched, BEFORE connecting the power line,
- ◆ Please make sure the wiring is insulated.
- ◆ DO NOT disassemble or modify the fixtures

Trouble Shooting

Troubles	Check points
Flickering of the light	Turn off the power and turn on again in 3 minutes. If same result, then replace
Not working	Please check the connection