

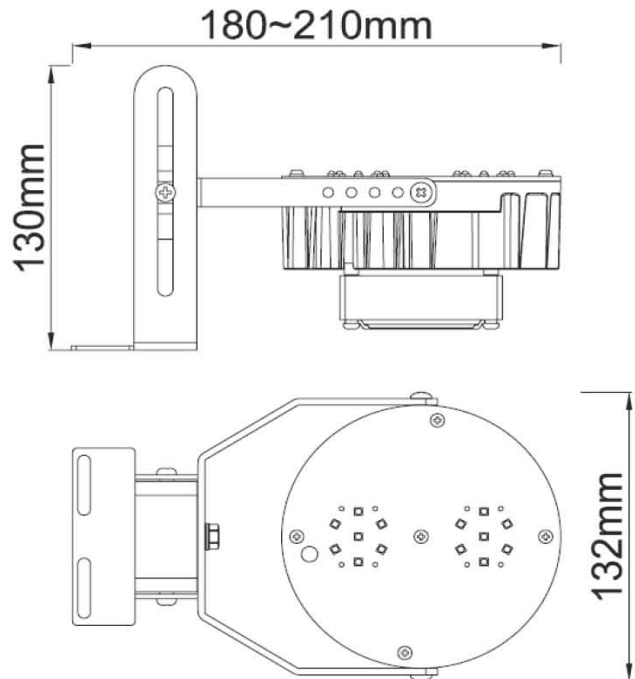


NAME: LED RETROFIT KIT

P/N: SNC-RKNUS-65WV1

Advantage:

- UL cUL DLC CE RoHS certificate
- CREE Chip, SUNON fan
- High CRI
- Mean Well IP65 driver,
Input voltage 100-277VAC
- No UV or IR in the beam
- Easy to install and operate
- Energy saving, long service life
- Light is soft and uniform, safe to eyes
- Instant start, NO flickering, NO humming
- Green and eco-friendly without mercury.



Application:

Outdoor Pole/Arm-Mounted Area and Roadway Luminaires

Product Specifications

Product name	LED Retrofit Kits
Part No	SNC-RKNUS-65WV1
Light Type	Retrofit Kits
Dimension	(180-210) *132*130mm

Technical Characteristic

Color temperature	4000K	4500K	5000K	5700K
CRI	>70			
Lumen	6200-7400LM			
Input Power	65W			
Viewing Angle	120Degree			
Input Voltage	100-277VAC		50/60Hz	
Driver model	HLG-80H-24A(Mean Well Driver)			
PFC	>0.9			
Equivalent	450W incandescent / 150W CFL			
Waterproof Rating	IP40			

Materials

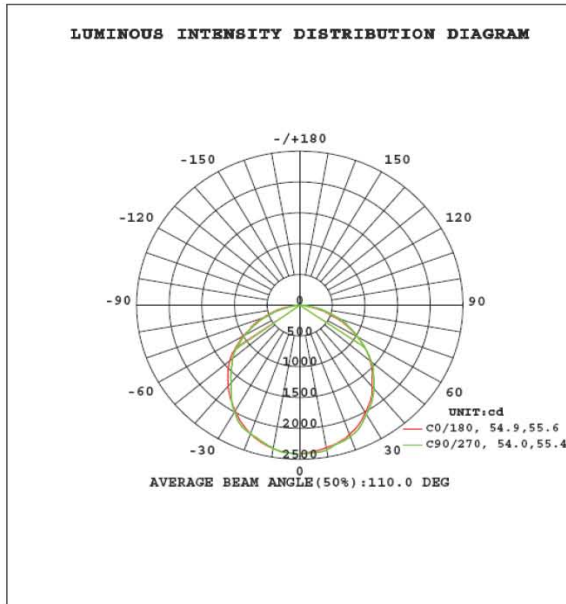
LED Brand	CREE
LED Type	XTE, 1 - 5W
LED QTY	28 PCS
Housing	Aluminum
Housing color	Gray

Others

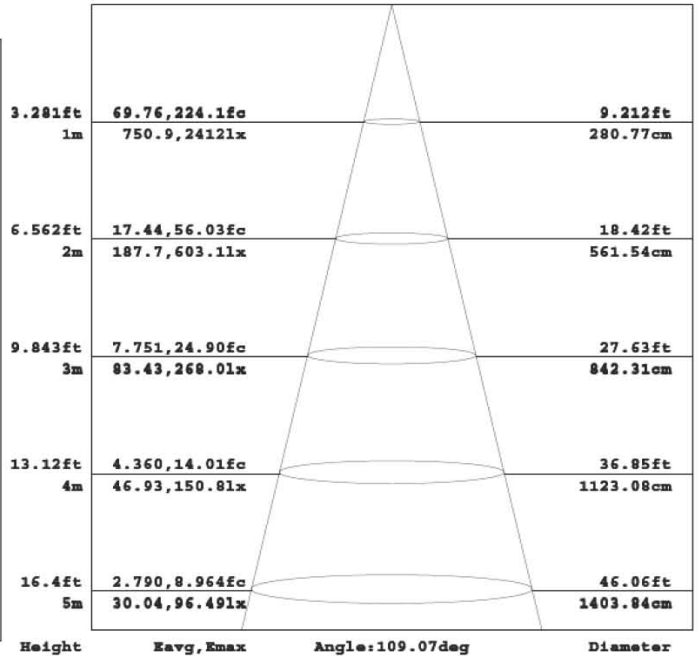
Operating Temperature	-20°C TO 45°C
Operating Humidity	20%-90% RH
Storage Temperature	-30°C TO 80°C
Storage Humidity	10%-95%
Application	Outdoor Pole/Arm-Mounted Area and Roadway Luminaires
Safety Certification	UL、cUL、DLC、CE、RoHS
Warranty Time	6 Years

Light Distribution Testing Parameters

DATA OF LAMP		PHOTOMETRIC DATA				Eff: 104.28 lm/W
MODEL	SNC-RKNUS-65WV1	I _{max} (cd)	2422	S/MH (C0/180)	1.23	
NOMINAL POWER (W)	65	LOR (%)	100.0	S/MH (C90/270)	1.24	
RATED VOLTAGE (V)	1200	TOTAL FLUX (lm)	6608.9	η UP, DN (C0-180)	0.1, 51.0	
NOMINAL FLUX (lm)	6608.9	CIE CLASS	DIRECT	η UP, DN (C180-360)	0.1, 48.8	
LAMPS INSIDE	1	η up (%)	0.1	CIBSE SHR NOM	1.25	
TEST VOLTAGE (V)	120.0	η down (%)	99.9	CIBSE SHR MAX	1.35	



Flux out: 4811 lm

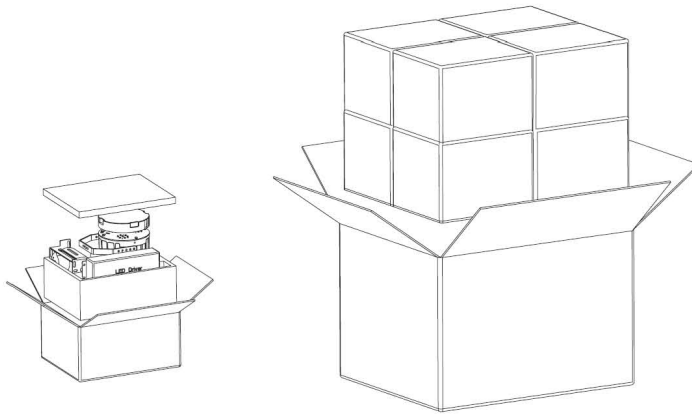


Note: The Curves indicate the illuminated area and the average illumination when the luminaire is at different distance.

Package

Lamps Net Weight: 1.6 KG / PC

	Size	Qty/Carton	Weight/Carton
inner box	27*22*13 CM	1	2.1 KG
Outer box	56*45*29 CM	8	17.8 KG



Notice For User

- ◆ Please turn off power before install or change assembly parts.
- ◆ The input voltage and lamps should be matched, after connecting the power line, Please make sure the wiring section is insulated.
- ◆ No-professionals, must not install and disassemble the lamps.

Trouble Shooting

Troubles	Check points
Flickering of the light	Turn off the power and turn on again in 3 minutes. If same phenomena occur, then call agencies
Out of working	Please check the connection