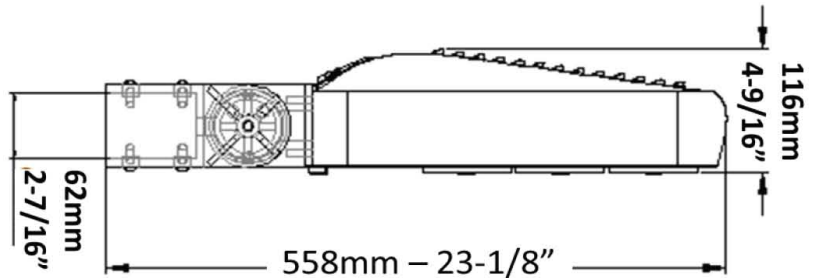




NAME: LED ShoeBox Light

P/N: SNC-S300HLT3YA1

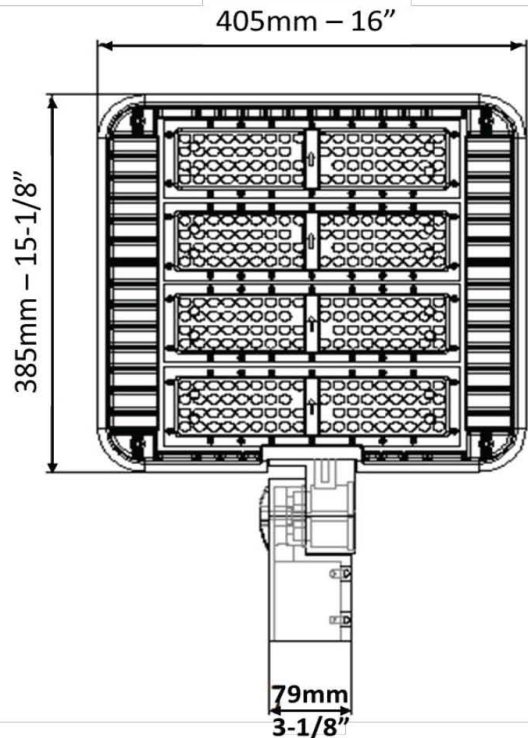


Advantage:

- UL cUL certificate
- PHILIPS Chip, high CRI
- Mean Well IP65 driver, input voltage 100-277VAC
- No UV or IR in the beam
- Easy to install and operate
- Energy saving, long lifespan
- Light is soft and uniform, safe to eyes
- Instant start, NO flickering, NO humming
- Green and eco-friendly without mercury.

Application:

- 1. Outdoor basketball court, tennis court.
- 2. Badminton court, the football field.
- 3. The school playground, stadium.
- 4. Community leisure entertainment plaza, road lamp etc.



Product Specifications

Product name	LED Shoe Box Light
Part No	SNC-S300HLT3YA1
Light Type	Shoe Box Light
Dimension	558*405*116mm - 23-1/8"X 16"X 4-9/16"

Technical Characteristic

Color temperature	5000K
CRI	>70
Lumen	36000-39000LM
Input Power	300W
Viewing Angle	150*85 Degree (Type □)
Input Voltage	100-277V
Driver model	HLG-320H-48A
PFC	>0.9
Waterproof Rating	IP65

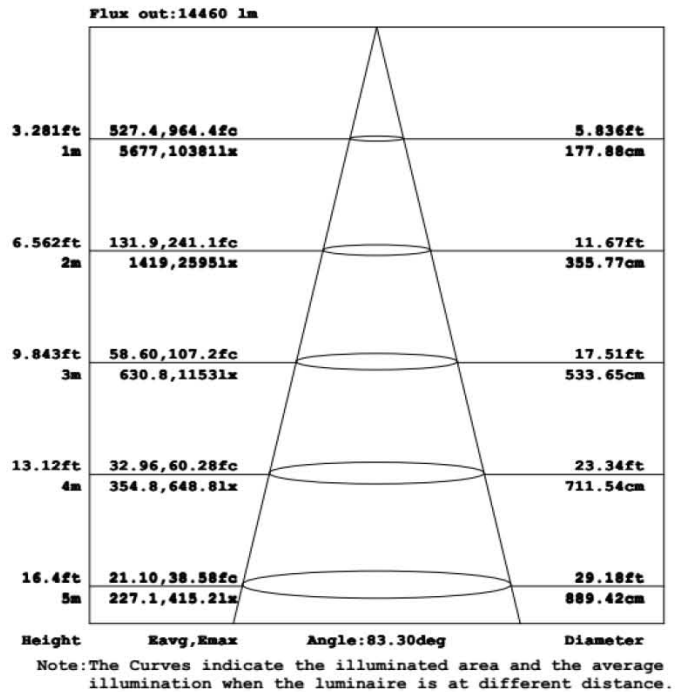
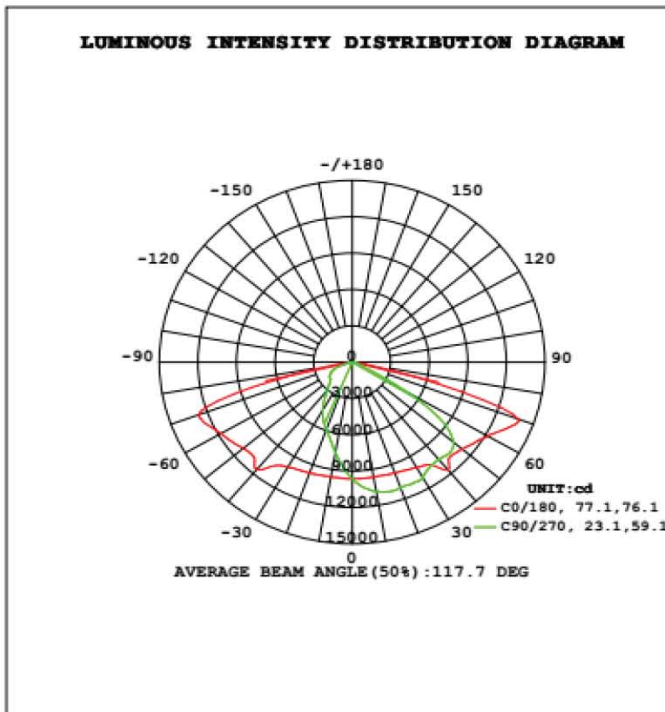
Materials

LED Brand	PHILIPS LUMILEDS
LED Type	LUXEON 3030 2D (1.5W)
LED QTY	280PCS
Housing	Magnesium + Aluminum
Housing color	WHITE
Operating Temperature	-20□ TO 45□
Operating Humidity	20%-90% RH
Storage Temperature	-30□ TO 80□
Storage Humidity	10%-95%
Application	Outdoor
Safety Certification	UL、cUL
Warranty Time	5 Years

Others

Light Distribution Testing Parameters

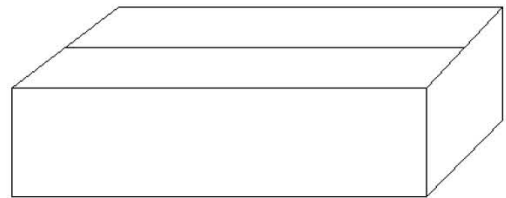
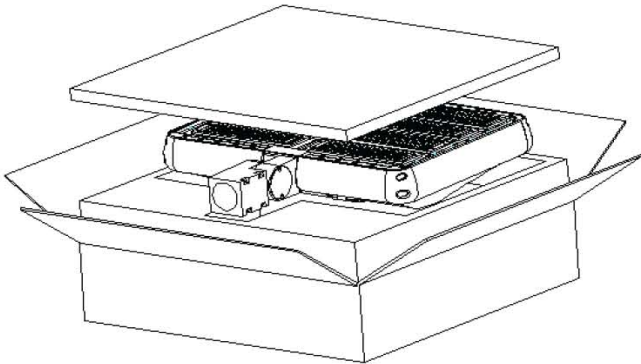
DATA OF LAMP		PHOTOMETRIC DATA Eff: 131.19 lm/W			
MODEL	SNC-S300HLT3AMA1	Imax (cd)	17672	S/MH (C0/180)	1.78
NOMINAL POWER (W)	300	LOR (%)	100.0	S/MH (C90/270)	0.75
RATED VOLTAGE (V)	120	TOTAL FLUX (lm)	38392	η UP, DN (C0-180)	0.1, 67.5
NOMINAL FLUX (lm)	38392	CIE CLASS	DIRECT	η UP, DN (C180-360)	0.1, 32.3
LAMPS INSIDE	1	η up (%)	0.2	CIBSE SHR NOM	1.50
TEST VOLTAGE (V)	120.0	η down (%)	99.8	CIBSE SHR MAX	1.55



Package

Lamps Net Weight: 13Kg/ 28lbs-11oz / pcs

	Size	Qty/Carton	Weight/Carton
Outer box	630*475*185mm 24-13/16"X 18-11/16"X 7-5/16"	1	14.6 kg – 32lbs-3oz



IMPORTANT

- ◆ Please turn off power before installation or maintenance
- ◆ The input voltage and lamps should be matched
- ◆ Please make sure the wiring is insulated
- ◆ DO NOT modify or disassemble the lamps

Trouble Shooting

Trouble	Check point
Flickering of the light	Turn off the power and turn on again in 3 minutes. If same phenomena occurs, then repair modules / replace lamp
Not working	Please check the connection