



NAME: LED WALL PACK

P/N: SNC-WP-120WA1

Advantage

- UL cUL DLC certificate
- IP65 Internal driver, input voltage AC100-277V
- No UV or IR in the beam
- Easy to install and operate
- Energy saving, long lifespan
- Light is soft and uniform, safe to eyes
- Instant start, NO flickering, NO humming
- Green and eco-friendly without mercury.

Application

- Factory / Hallway Lighting
- Outdoor landscape lighting
- Building, hotel, building exterior wall



Product Specifications

Product name	LED Wall Pack
Part No	SNC-WP-120WA1
Light Type	Wall Pack
Dimension	463 X 230 X 420mm / 18-1/2" X 9-1/16" X 16-9/16"

Technical Characteristics

Color temperature	4000K	4500K	5000K	5700K
CRI	>70	>70	>70	>70
Lumen	10308LM	10440LM	10620LM	10800LM
Lumen Efficacy	85.9LM/W	87LM/W	88.5LM/W	90LM/W
Input Power	120W			
Viewing Angle	100 Degree			
Input Voltage	AC200-480V 50/60Hz			
Driver model	HVG-150-36A (Mean Well Driver)			
PFC	>0.9			
Equivalent	800W incandescent /250W CFL			
Waterproof Rating	IP65			

Materials

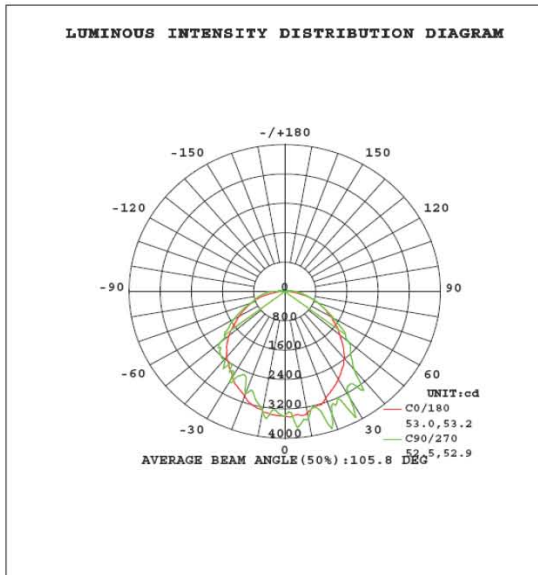
LED Brand	Epistar
LED Type	2835,0.5W
LED QTY	300 PCS
Housing	Aluminum(ADC12) + Ordinary Glass Cover
Housing color	Brown (Standard Color in SNC)

Others

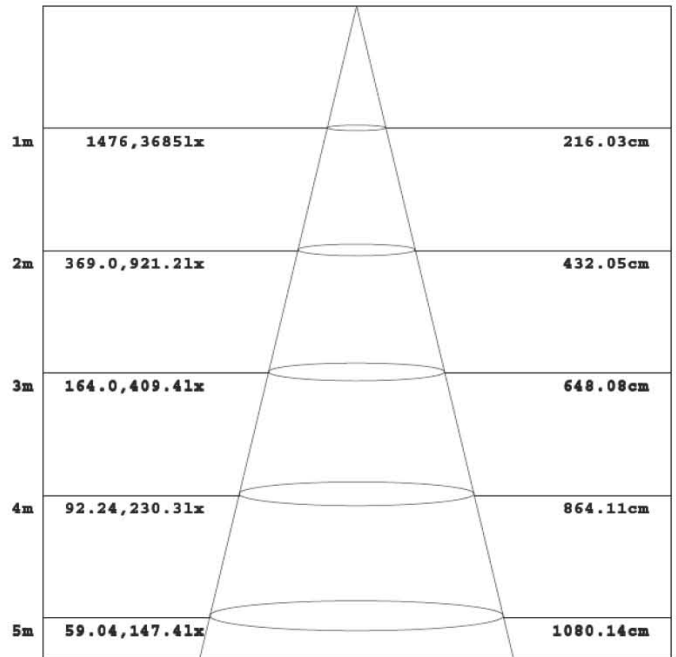
Operating Temperature	-20℃ TO 45℃
Operating Humidity	20%-90% RH
Storage Temperature	-30℃ TO 80℃
Storage Humidity	10%-95%
Application	Outdoor/Indoor
Safety Certification	UL、cUL、DLC
Warranty Time	5 Years

Test Data

DATA OF LAMP		PHOTOMETRIC DATA Eff: 85.99 lm/W			
MODEL	SNC-WP-120WA1	I _{max} (cd)	3928	S/MH(C0/180)	1.18
NOMINAL POWER (W)	120	LOR (%)	100.0	S/MH(C90/270)	1.19
RATED VOLTAGE (V)	277	TOTAL FLUX (lm)	10103	η UP, DN(C0-180)	1.0, 51.0
NOMINAL FLUX (lm)	10102.9	CIE CLASS	DIRECT	η UP, DN(C180-360)	1.2, 46.7
LAMPS INSIDE	1	η up (%)	2.2	CIBSE SHR NOM	1.25
TEST VOLTAGE (V)	277.0	η down (%)	97.8	CIBSE SHR MAX	1.35



Flux out: 5719 lm



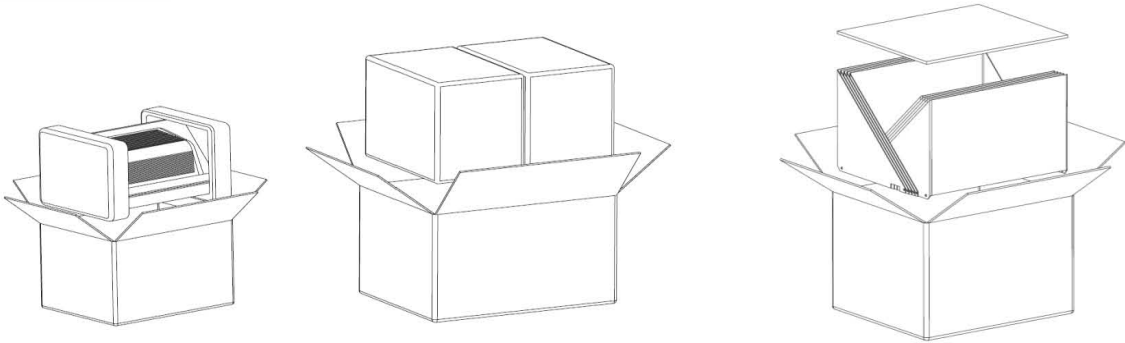
Note: The Curves indicate the illuminated area and the average illumination when the luminaire is at different distance.

Package

Lamps Net Weight: 7.8 Kg / 17lbs-3oz / pcs--luminaries

	Size	Qty/ Carton	Weight/ Carton
Inner box	490 X 270 X 280mm 19-5/16" X 10-5/8" X 11-1/32"	1	8.6 kg / 18lbs-15.5oz
Outer box - luminaries	590 X 520 X 320mm 23-1/2" X 20-1/2" X 12-5/8"	2	18.5 kg / 40lbs-12.5oz
Outer box - lamp cover	470 X 360 X 280mm 18-1/2" X 14-3/16" X 11-1/32"	10	11.2kg / 24lbs-11oz

Packing Diagram



IMPORTANT

- ◆ Please turn off power before installation or maintenance
- ◆ The input voltage and lamps should be matched
- ◆ Please make sure the wiring is insulated
- ◆ DO NOT modify or disassemble the lamps

Trouble Shooting

Trouble	Check point
Flickering of the light	Turn off the power and turn on again in 3 minutes. If same phenomena occurs, then repair modules / replace lamp
Not working	Please check the connection