



NAME: LED WALL PACK

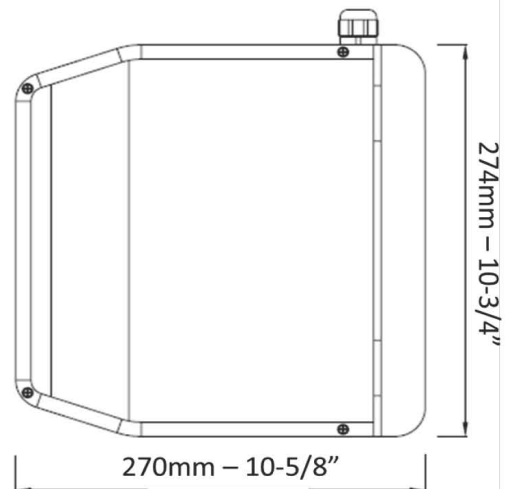
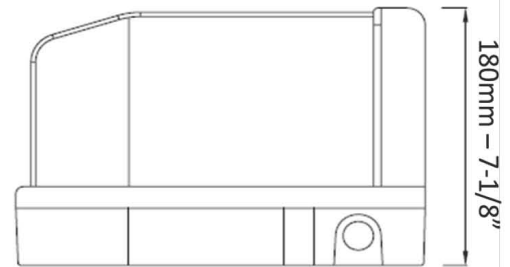
P/N: SNC-WP-50WA1

Advantage

- UL cUL DLC certificate
- IP65 Internal driver, input voltage AC100-277V
- No UV or IR in the beam
- Easy to install and operate
- Energy saving, long lifespan
- Light is soft and uniform, safe to eyes
- Instant start, NO flickering, NO humming
- Green and eco-friendly without mercury.

Application

- Lighting factory
- Outdoor landscape lighting
- Building, the hotel, such as building exterior wall



Product Specifications

Product name	LED Wall Pack
Part No	SNC-WP-50WA1
Light Type	Wall Pack
Dimension	274*270*180mm – 7-1/8” X 10-5/8” X 10-3/4”

Technical Characteristic

Color temperature	4000K	4500K	5000K	5700K
CRI	>70	>70	>70	>70
Lumen	4250LM	4350LM	4530LM	4660LM
Lumen Efficacy	85LM/W	87LM/W	90.6LM/W	93.2LM/W
Input Power	50W			
Viewing Angle	110 Degree			
Input Voltage	AC100-277V 50/60Hz			
Driver model	SS-50R-36 (China Brand Driver)			
PFC	>0.9			
Equivalent	300W incandescent /70W CFL			
Waterproof Rating	IP65			

Materials

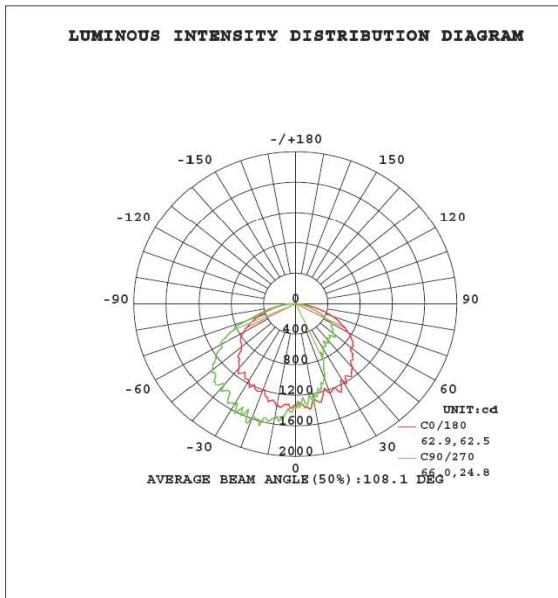
LED Brand	Epistar
LED Type	2835,0.5W
LED QTY	120 PCS
Housing	Aluminum (ADC12) + PC
Housing color	Black

Others

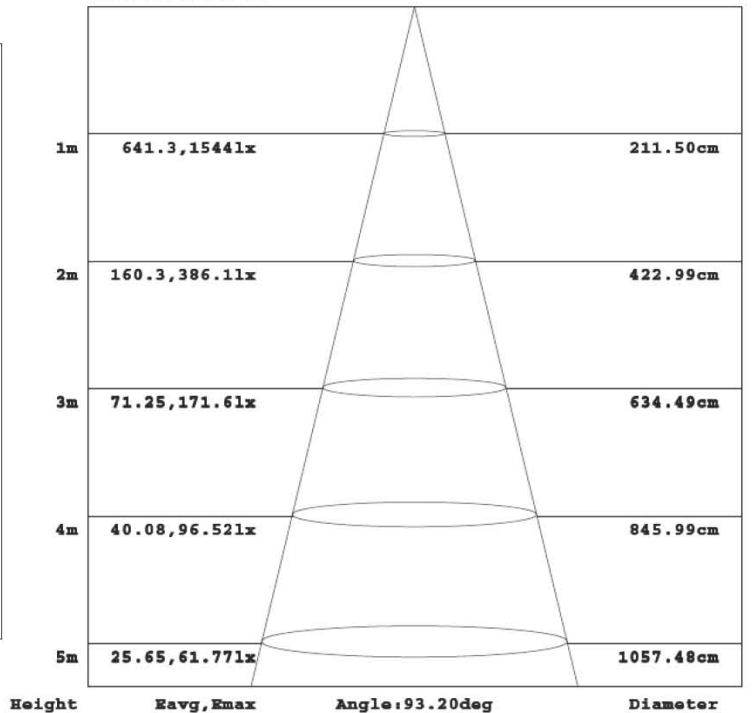
Operating Temperature	-20°C TO 45°C
Operating Humidity	20%-90% RH
Storage Temperature	-30°C TO 80°C
Storage Humidity	10%-95%
Application	Outdoor/Indoor
Safety Certification	UL、cUL、DLC
Warranty Time	5 Years

Test Data

DATA OF LAMP		PHOTOMETRIC DATA				Eff: 84.94 lm/W
MODEL	SNC-WP-50WA1-4000K	I _{max} (cd)	1741	S/MH (C0/180)		1.31
NOMINAL POWER (W)	50	LOR (%)	100.0	S/MH (C90/270)		1.63
RATED VOLTAGE (V)	120	TOTAL FLUX (lm)	4564.8	η UP, DN (C0-180)		0.7, 35.0
NOMINAL FLUX (lm)	4564.84	CIE CLASS	DIRECT	η UP, DN (C180-360)		0.9, 63.5
LAMPS INSIDE	1	η up (%)	1.5	CIBSE SHR NOM		1.25
TEST VOLTAGE (V)	120.0	η down (%)	98.5	CIBSE SHR MAX		1.35



Flux out: 2317 lm



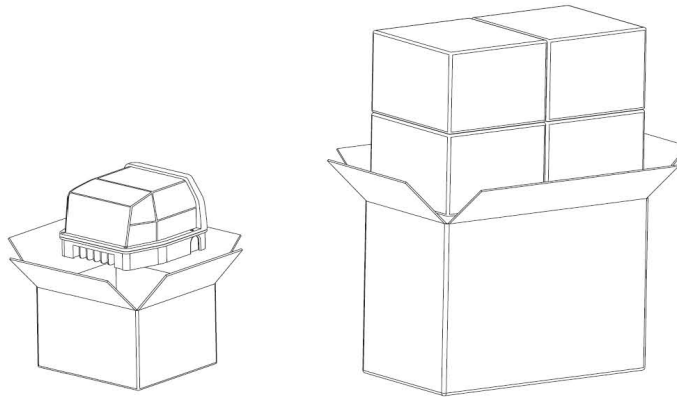
Note: The Curves indicate the illuminated area and the average illumination when the luminaire is at different distance.

Package

Lamps Net Weight: 2.8 Kg / 6lbs-3oz / pcs

	Size	Qty/ Carton	Weight/ Carton
Inner box	315*285*210mm 12-7/16" X 114-1/4" X 8-1/4"	1	3.4kg - 7lbs-8oz
Outer box	590*330*450mm 23-1/2" X 13" X 17-11/16"	4	14.5kg - 32lbs

Packing Diagram



IMPORTANT

- ◆ Please turn off power before installation or maintenance.
- ◆ The input voltage and lamps should be matched, BEFORE connecting the power line,
- ◆ Please make sure the wiring is insulated.
- ◆ DO NOT disassemble or modify the fixtures

Trouble Shooting

Troubles	Check points
Flickering of the light	Turn off the power and turn on again in 3 minutes. If same result, then replace
Not working	Please check the connection