



NAME: LED WALL PACK

P/N: SNC-WP-60WA1

Advantage

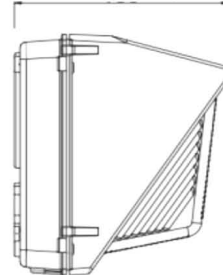
- UL cUL DLC certificate
- IP65 Internal driver, input voltage AC100-277V
- No UV or IR in the beam
- Easy to install and operate
- Energy saving, long lifespan
- Light is soft and uniform, safe to eyes
- Instant start, NO flickering, NO humming
- Green and eco-friendly without mercury.

Application

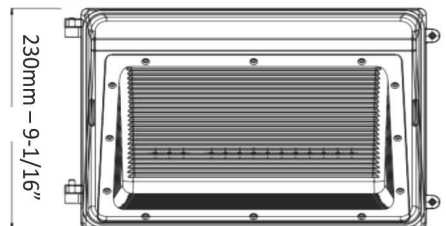
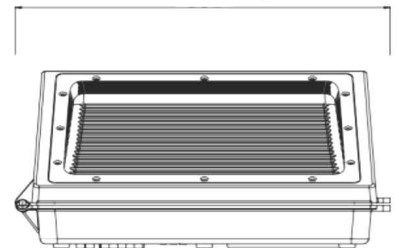
- Lighting factory
- Outdoor landscape lighting
- Building, the hotel, such as building exterior wall



189mm – 7-1/2"



360mm – 14-1/4"



230mm – 9-1/16"

Product Specifications

Product name	LED Wall Pack
Part No	SNC-WP-60WA1
Light Type	Wall Pack
Dimension	360*230*189mm - 14-1/4" X 9-1/16" X 7-1/2"

Technical Characteristic

Color temperature	4000K	4500K	5000K	5700K
CRI	>70	>70	>70	>70
Lumen	4890LM	4960LM	5040LM	5106LM
Lumen Efficacy	81.5LM/W	82.7LM/W	84LM/W	85.LM/W
Input Power	60W			
Viewing Angle	90 Degree			
Input Voltage	AC100-277V 50/60Hz			
Driver model	SS-80R-36 (China Brand Driver)			
PFC	>0.9			
Equivalent	400W incandescent /100W CFL			
Waterproof Rating	IP65			

Materials

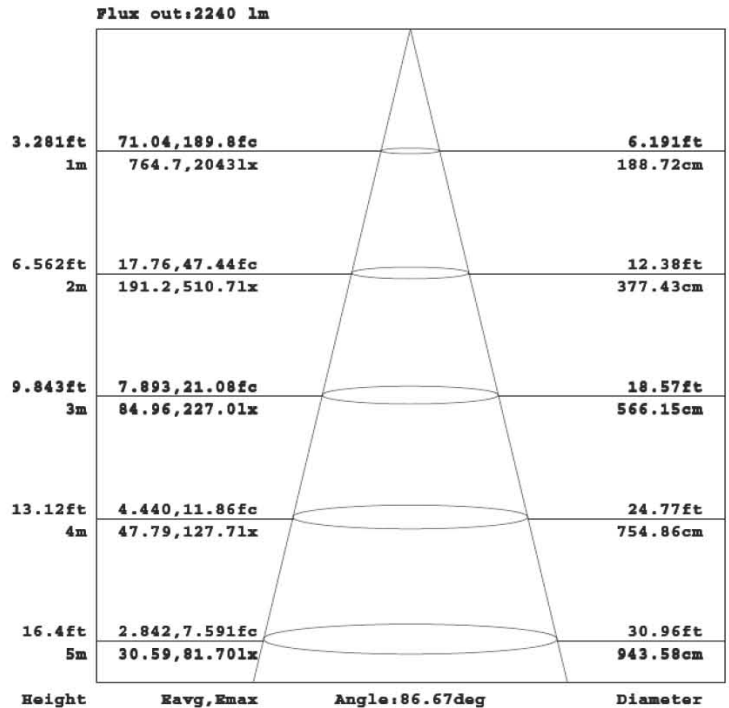
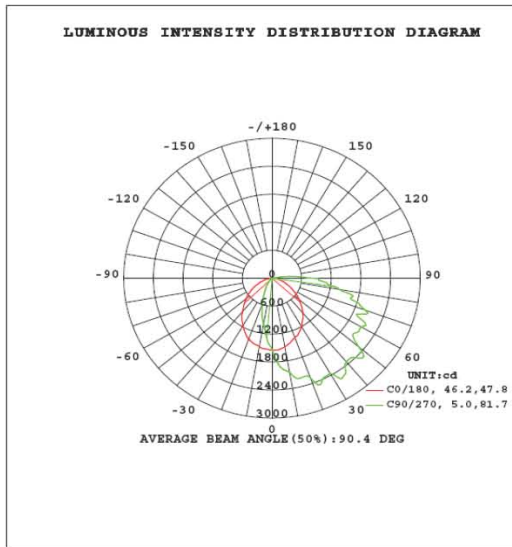
LED Brand	Epistar
LED Type	2835,0.5W
LED QTY	150 PCS
Housing	Aluminum (ADC12) + Ordinary Gloss Cover
Housing color	Brown (Standard Color in SNC)

Others

Operating Temperature	-20°C TO 45°C
Operating Humidity	20%-90% RH
Storage Temperature	-30°C TO 80°C
Storage Humidity	10%-95%
Application	Outdoor/Indoor
Safety Certification	UL、cUL、DLC
Warranty Time	5 Years

Test Data

DATA OF LAMP		PHOTOMETRIC DATA				Eff: 81.47 lm/W
MODEL	SNC-WP-60WA1	I _{max} (cd)	2572	S/MH (C0/180)		1.15
NOMINAL POWER (W)	60	LOR (%)	100.0	S/MH (C90/270)		0.50
RATED VOLTAGE (V)	120	TOTAL FLUX (lm)	5173.9	η UP, DN (C0-180)		2.4, 83.0
NOMINAL FLUX (lm)	5173.89	CIE CLASS	DIRECT	η UP, DN (C180-360)		0.1, 14.5
LAMPS INSIDE	1	η up (%)	2.6	CIBSE SHR NOM		1.25
TEST VOLTAGE (V)	120.0	η down (%)	97.4	CIBSE SHR MAX		1.25



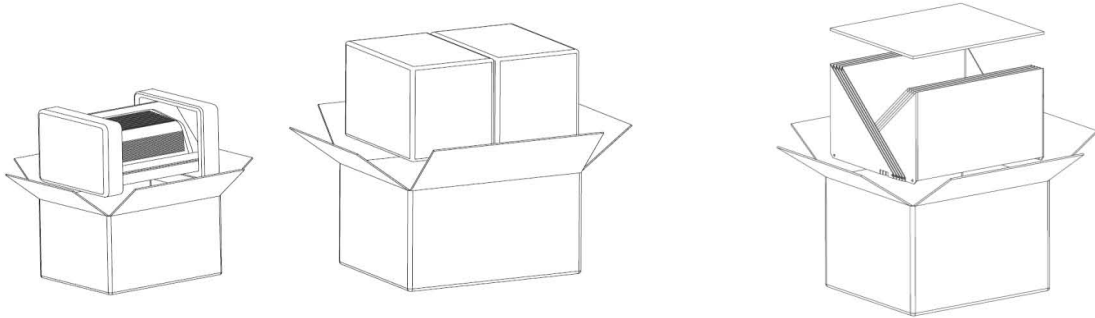
Note: The Curves indicate the illuminated area and the average illumination when the luminaire is at different distance.

Package

Lamps Net Weight: 4.5 Kg / 9lbs-15oz / pcs--luminaries

	Size	Qty/ Carton	Weight/ Carton
Inner box	385*300*250mm 15-3/16"X 11-3/4"X 9-7/8"	1	5.2kg – 11lbs-8oz
Outer box - luminaries	520*410*320mm 12-5/8"X 16-1/8"X 12-9/16"	2	11.5kg – 25lbs-6oz
Outer box - lamp cover	370*320*260mm 14-9/16"X 12-9/16"X 10-1/4"	10	9kg – 19lbs-14oz

Packing Diagram



IMPORTANT

- ◆ Please turn off power before installation or maintenance.
- ◆ The input voltage and lamps should be matched, BEFORE connecting the power line,
- ◆ Please make sure the wiring is insulated.
- ◆ DO NOT disassemble or modify the fixtures

Trouble Shooting

Troubles	Check points
Flickering of the light	Turn off the power and turn on again in 3 minutes. If same result, then replace
Not working	Please check the connection